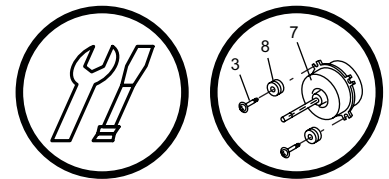
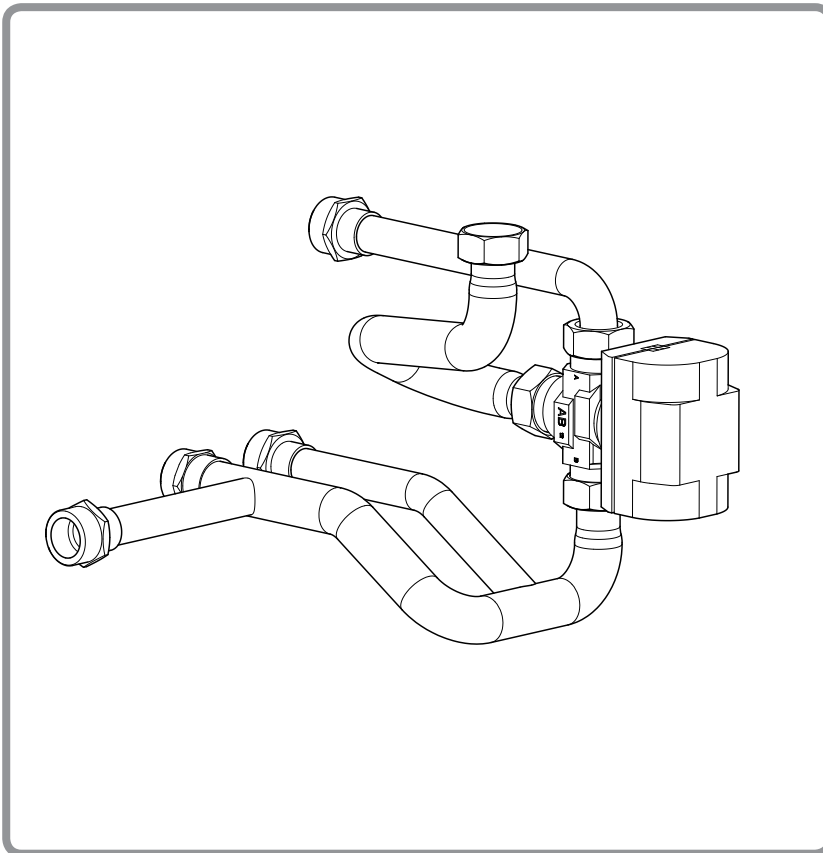




## Boiler connection kit code 073990

for heat pump, Split 2 services



### Installation instructions

**intended for the  
professional technician**

these must be kept safe  
for subsequent consultation

 **This manual primarily concerns the installation and connection of the boiler connection. Please refer to the technical manuals for the heat pump and the boiler for how to install and configure these units.**

# 1 Description of the equipment

## 1.1 Package

- **1 package:** Boiler connection kit

On reception, before you fit anything, it is essential that you check the parts received and search for any damage caused during transport.

## 1.2 Scope of application

The connection of an oil or gas boiler to the heat pump requires the installation of the boiler connection kit.

This corresponds to the preset configurations :

- alfea extensa A.I. or alfea excellia A.I. (A) :

**Boiler connection (*Installed options* )**

- alfea extensa + or alfea excellia (B) :

**3 or 4 of parameter 5700** to be set on the hydraulic module's regulator.

## 1.3 Specifications

Power absorbed	< 25 W
Maximum operating pressure	3 bar
Supply voltage	230V - 50Hz
Boiler connection diameter	26 x 34 mm
Flow/return diameter (male)	26 x 34 mm

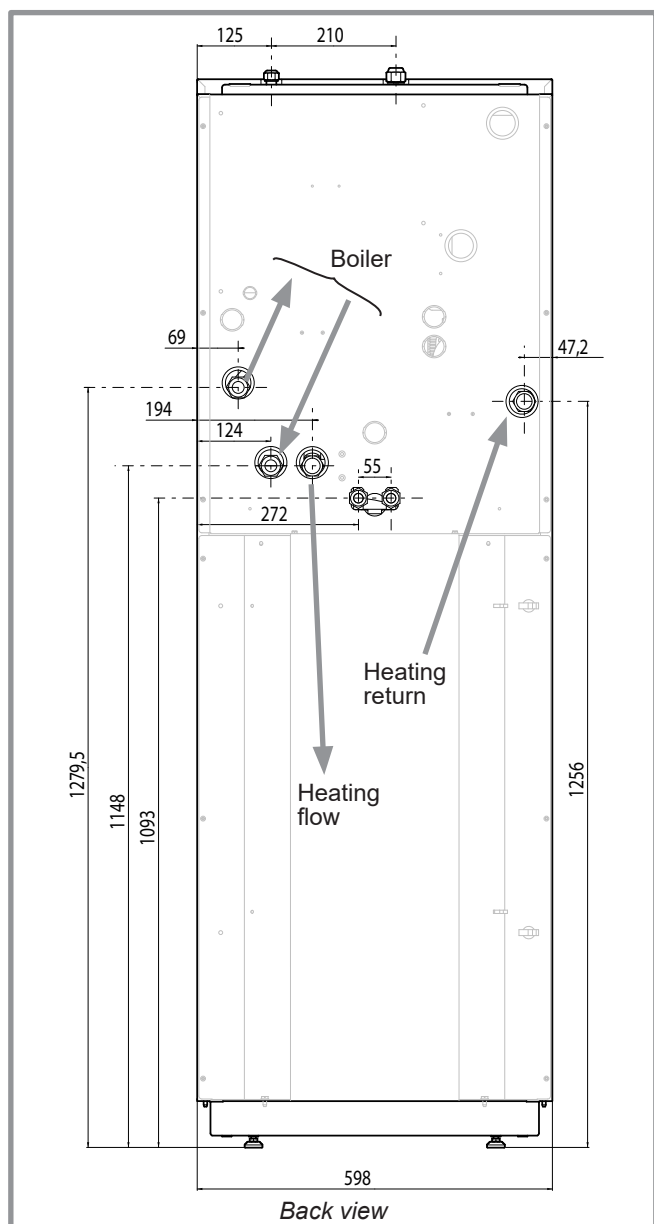


figure 1 - Dimensions in mm

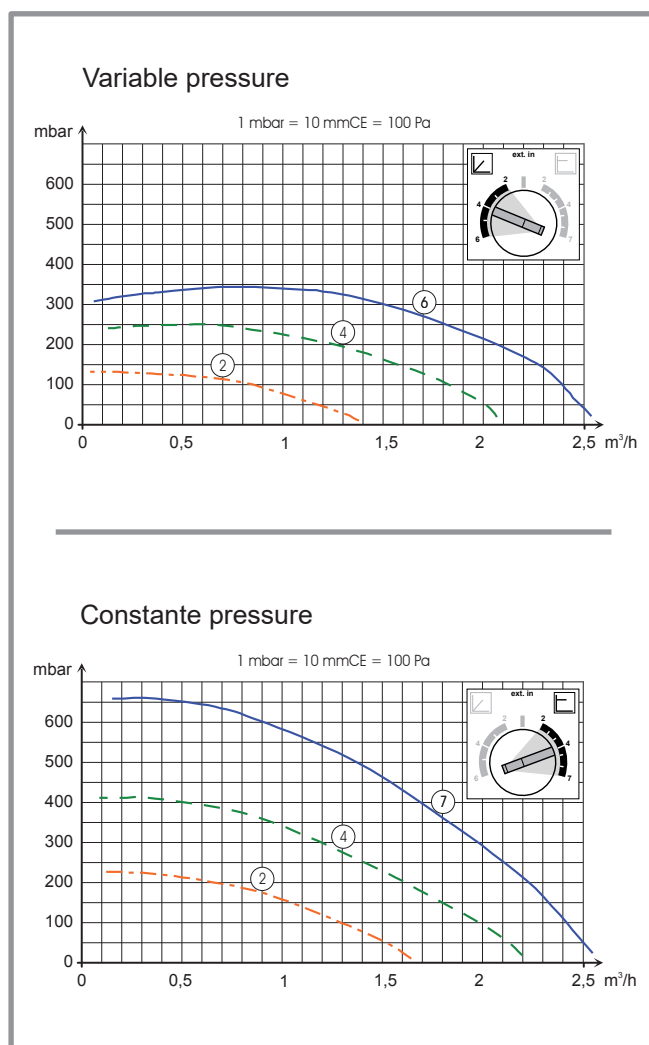


figure 2 - Hydraulic pressures and flow rates available (Hydraulic unit + Boiler connection kit)

### 1.4 Description

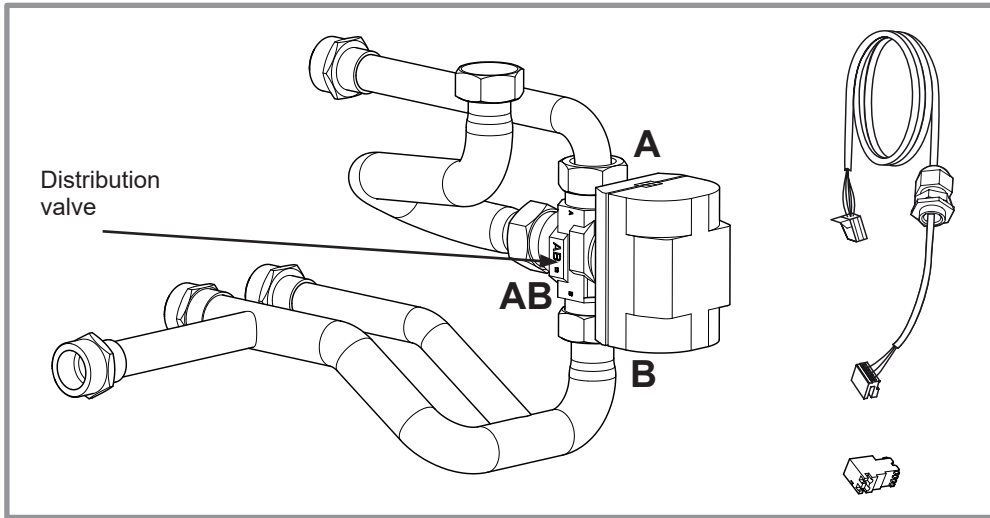


figure 3 - Boiler connection kit

### 1.5 Operating principle

When the heat pump cannot supply the amount of energy required, the 3-way distribution valve shunts the circuit through the boiler to provide additional energy.

The heat pump can be prevented from operating and the boiler forced to operate by means of control contact EX1 (bypass).

- ☞ **The installation a boiler connection kit is not compatible with the use of an electrical backup kit.**
- Please refer to the manual provided with the HP.

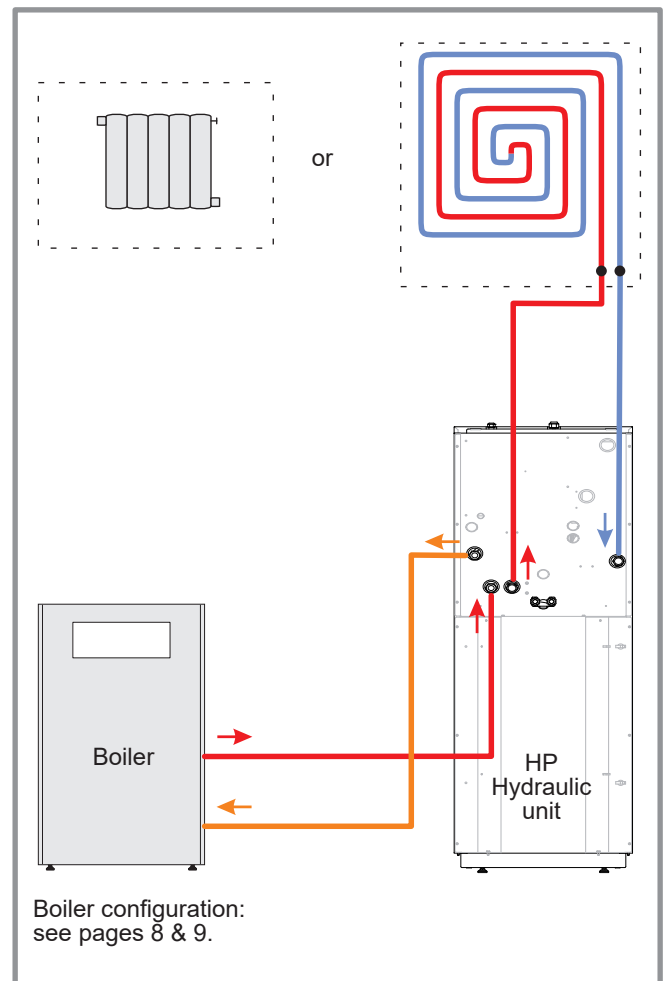


figure 4 - Overall hydraulic layout

## 2 Installation instructions

### 2.1 Hydraulic connections

The connection must comply with good trade practice according to local building regulations.

The appliance must be connected to the installation with union connectors and shut-off valves to facilitate its removal.

Reminder: Seal everything when fitting in accordance with prevailing trade practice for plumbing work:

- Use suitable seals (fibre seals, o-rings).
- Use Teflon tape or hemp.
- Use sealing paste (synthetic depending on the case).

#### • Fitting the boiler connection kit (fig. 5)

- Remove the front panel.

- **1** - Take out the expansion vessel.
- **2** - Remove and suppress the exchanger's flow pipe.
- **3** - Install the boiler connection kit.

☞ **Carefully comply with the direction for fitting the distribution valve.**

A: way A open: heat pump + boiler operating.

B: way B open: heat pump operating alone.

- **4** - Make an incision in the insulator and clamp the flow sensor on the facility's flow pipe. Apply adhesive tape on each side of the incision.

Good contact must be maintained between the heating flow sensor and the pipework. The contact surface between the piping and the sensor should be free of rust and paint.

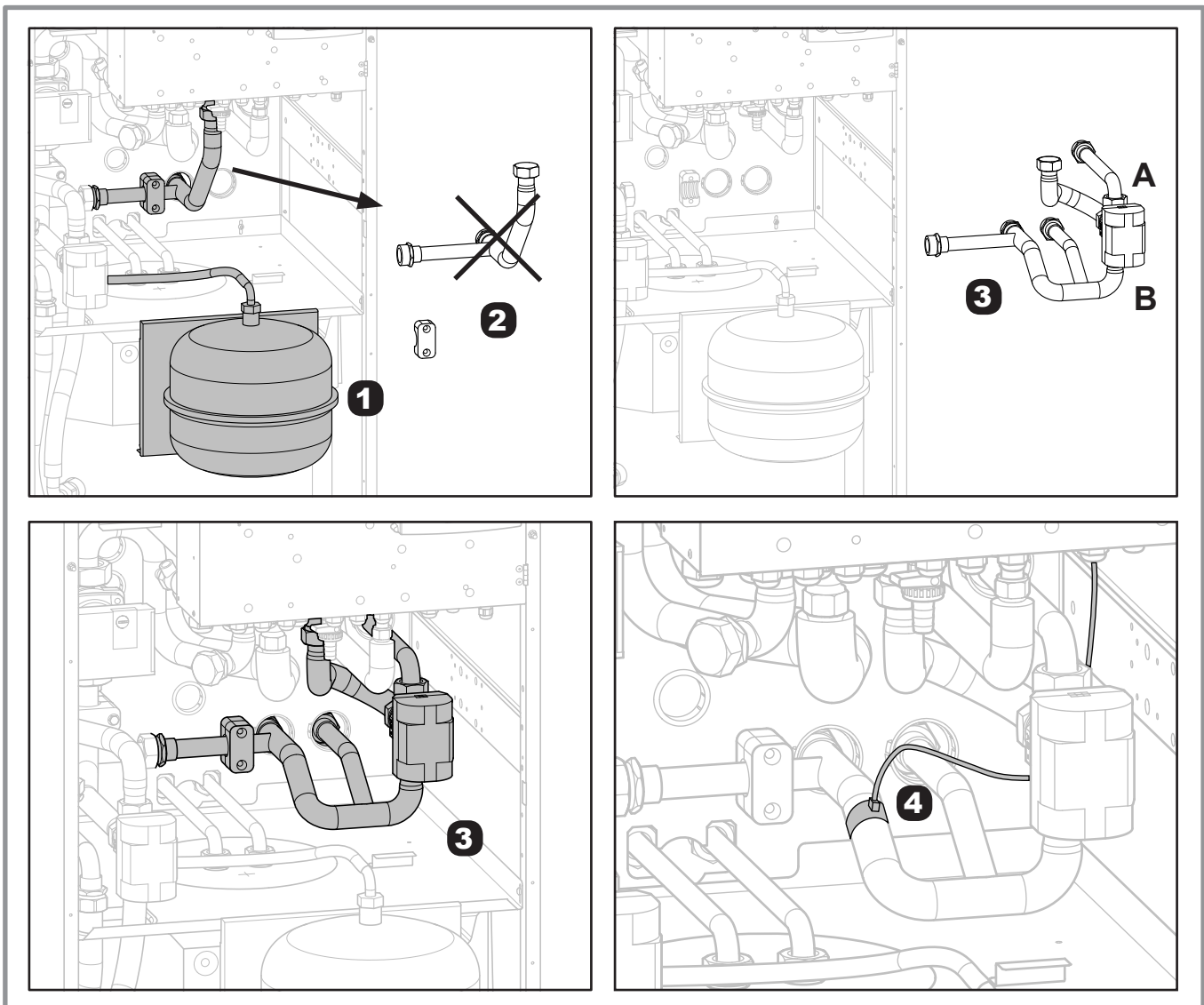


figure 5 - Fitting the boiler connection kit

## 2.2 Electrical connections

☞ **Ensure that the general electrical power supply has been cut off before starting any repair work.**

The electrical installation must be conducted in accordance with the prevailing regulations.

The electrical connections must only be made when all the other fitting operations have been completed (fixing, assembly, etc.).

Remark: In the case of a heated floor, Insert the floor heating thermal safety device between the **X12** connector and the floor heating circulation pump.

Make the following connections:

- **5** - Distribution valve (deviation boiler) on the **X13** connector.
- **6** - Connect the boiler control to the **X14** connector. Please refer to the instructions supplied with the boiler.
- **( )** - Stick the label of wiring inside the front plate of the hydraulic unit.

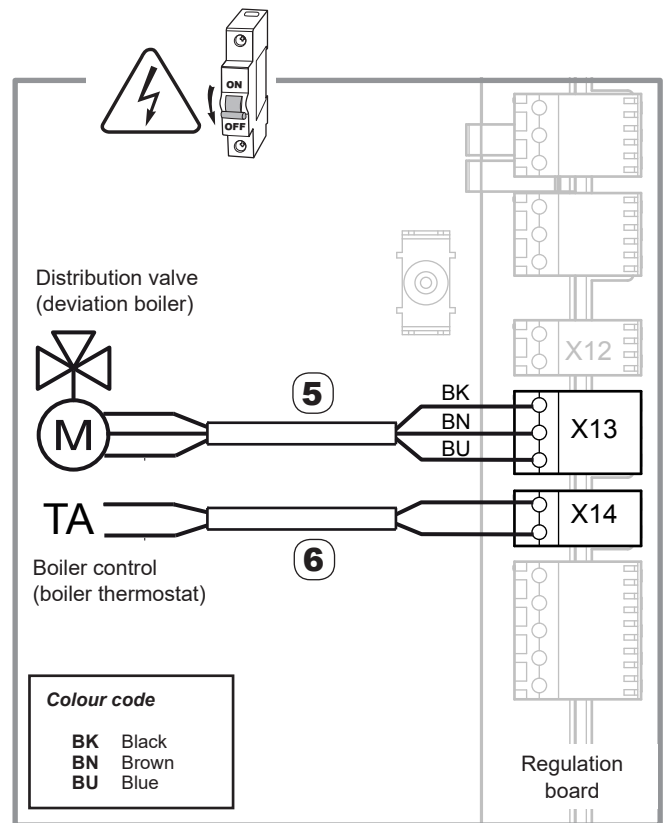


figure 6 - Electrical wiring

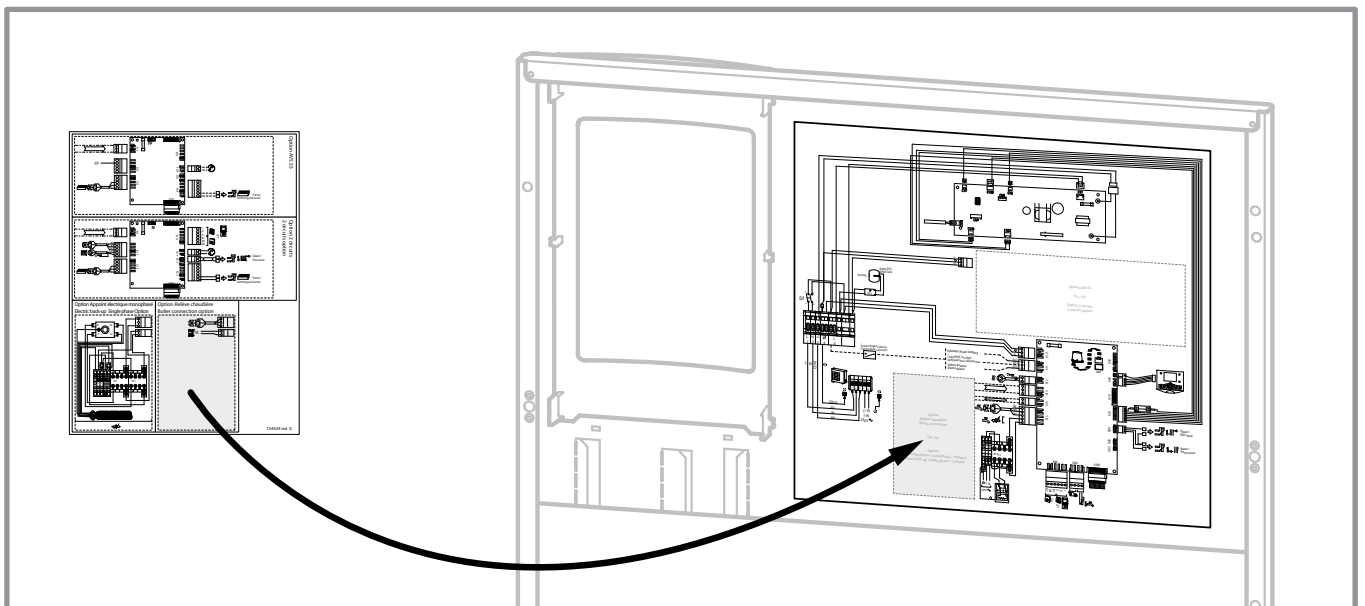
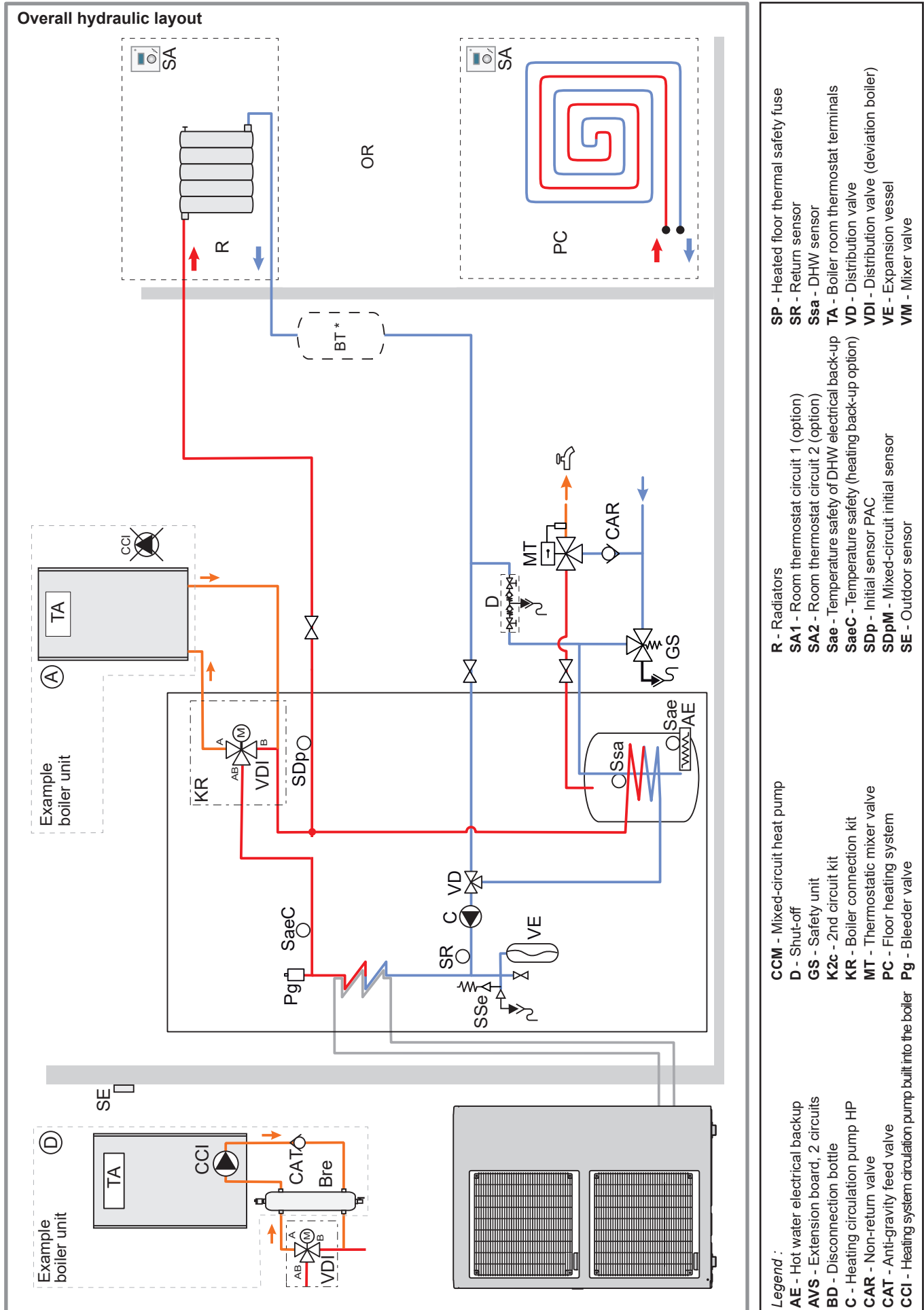


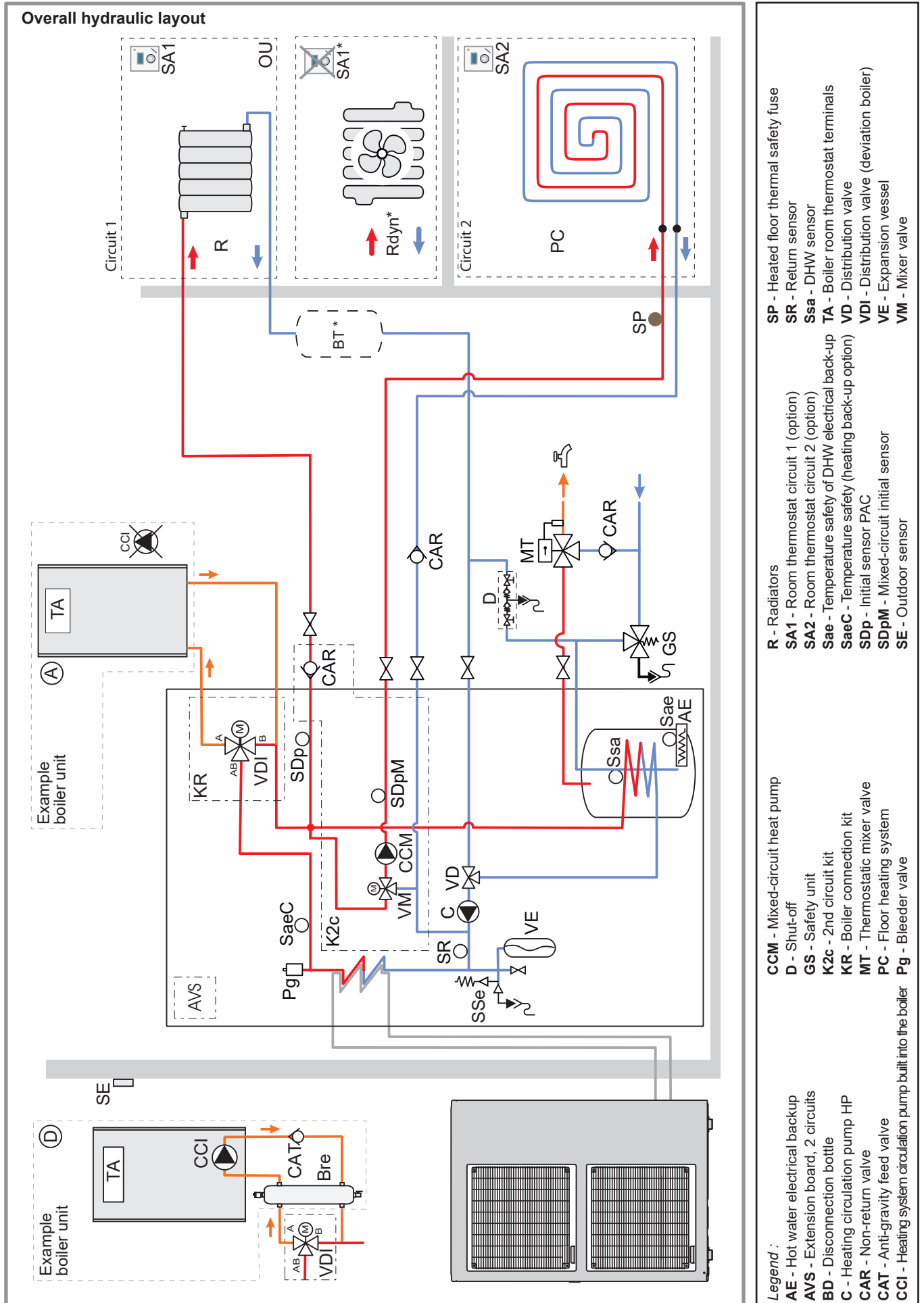
figure 7 - Electrical wiring label

### 2.3 Overall hydraulic layout

• Configuration 3 : Boiler connection and 1 heating circuit.



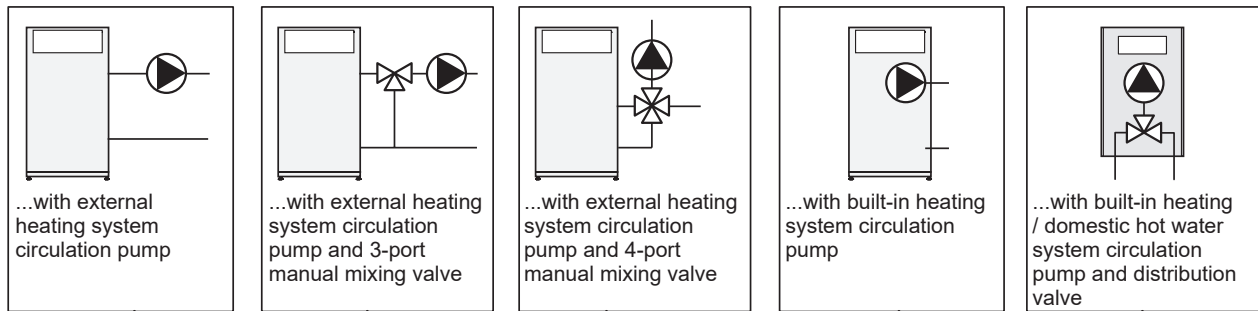
• Configuration 4 : Boiler connection and 2 heating circuits.



## 2.4 Boiler configuration - Unregulated boiler

☞ Not suitable for an installation with a heated floor.

Initial boiler unit...



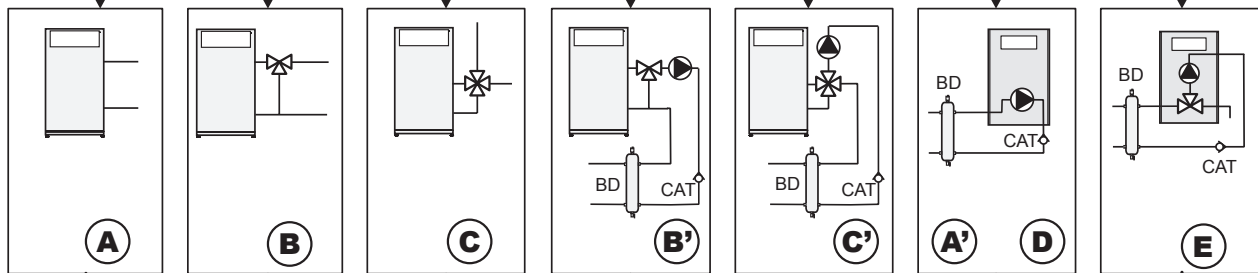
Open the manual mixing valve wide in the case of boiler heating only.  
If an expansion tank is fitted, set the valve to restrict the temperature to the usual temperature in winter.

Remove the heating system circulation pump.

OR

Install a disconnection bottle with  
- a suitable capacity (a least 1.5 liters)  
- a maximum flow rate of 2.5m<sup>3</sup>/h  
- 1" connections

Boiler unit required...



Remove the room thermostat

Remove the room thermostat

Connect the room thermostat terminals that have been freed on the boiler to stud **X14** on the hydraulic unit.  
If there is a room thermostat contact to be cut on the circulation pump:  
- Connect stud **X14** to cut off the burner while maintaining the production of hot water (if covered by the system)  
or  
- Do not connect stud **X14**, the boiler must be constantly kept under temperature (water bath type).

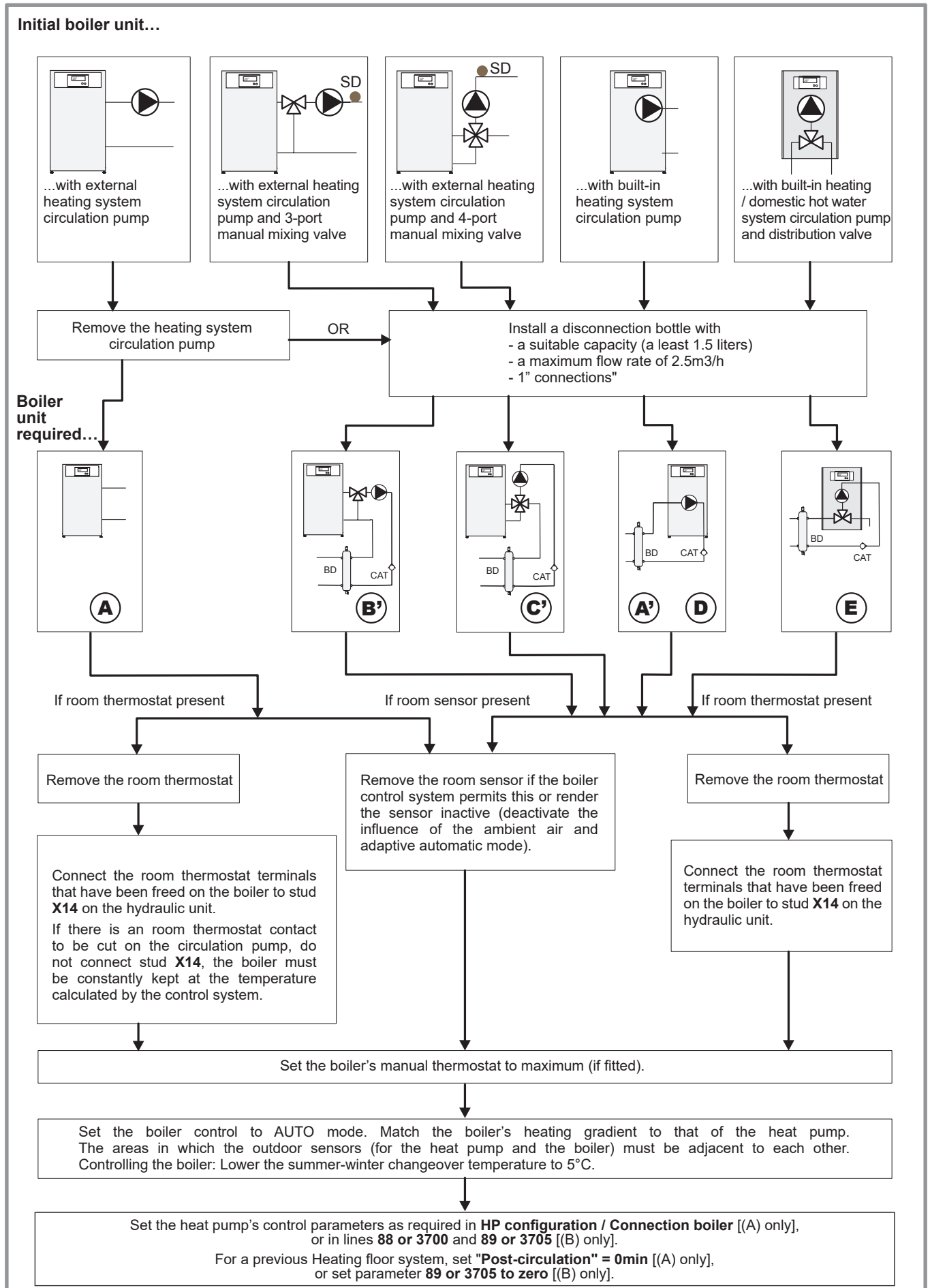
Connect the room thermostat terminals that have been freed on the boiler to stud **X14** on the hydraulic unit.

Set the valve to restrict the temperature to the usual temperature in winter.

Set the heat pump's control parameters as required in **HP configuration / Connection boiler** [(A) only], or in lines **88 or 3700** and **89 or 3705** [(B) only].



## 2.5 Boiler configuration - Regulated boiler



## 2.6 Pre-utilization check

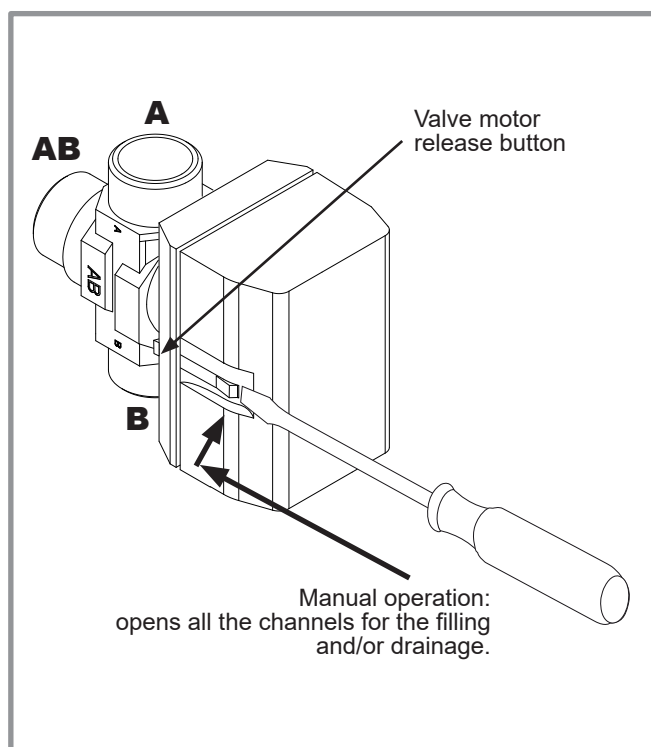
- Please refer to the manual provided with the HP.
- Please refer to the instructions supplied with the boiler.

### 2.6.1 Boiler connection operating test

The distribution valve of the boiler connection and of the boiler can be engaged by setting:

- alfea extensa A.I. or alfea excellia A.I. :  
Auxiliary functions / Test mode / Relay test  
==> Boiler connection On/Stop.
- alfea extensa + or alfea excellia :  
the Emergency operation = "On"  
(parameter 95 to 1 or parameter 7141 to "On").

☞ **Do not forget to reset the parameter to "Off" after the test.**



*figure 8 - Distribution valve*

### 3 Spare parts

When ordering spare parts, specify the appliance type and serial number, the name of the part and the part number.

Nr	Code	Designation	Type	Qty
1	142735	Seal	26x34	.03
2	184088	Pipe of valve		.01
3	184089	Pipe		.01
4	988109	Valve		.01
5	150322	Motor		.01
6	184090	Pipe		.01
7	110865	Connector	2 studs	.01
8	109695	Bundle		.01

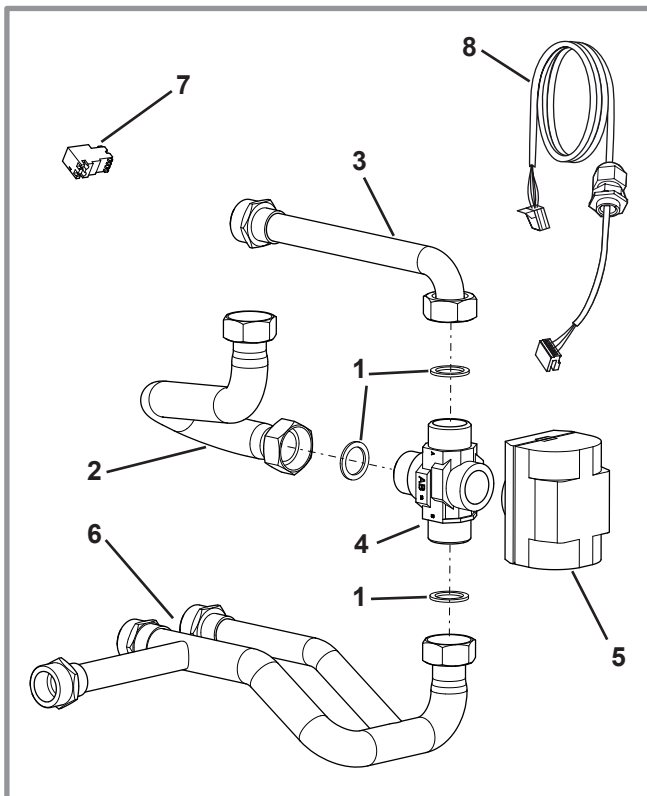


figure 9 - Spare parts Boiler connection kit



Complies with:  
- Low voltage directive 2006/95/EC, under standard EN 60335-1.  
- Electromagnetic compatibility Directive 2004/108/EC.



This appliance is marked with this symbol. This means that electrical and electronic products shall not be mixed with general household waste. European Community countries(\*), Norway, Iceland and Liechtenstein should have a dedicated collection system for these products. Do not try to dismantle the system yourself as this could have harmful effects on your health and on the environment. The dismantling and treatment of refrigerant, oil and other parts must be done by a qualified installer in accordance with relevant local and national regulations. This appliance must be treated at a specialized treatment facility for re-use, recycling and other forms of recovery and shall not be disposed of in the municipal waste stream. Please contact the installer or local authority for more information.  
\* subject to the national law of each member state

---

*Date of installation :*

*Contact of your heating technician or your after-sales service.*

**Société Industrielle de Chauffage**  
SATC - BP 64 - 59660 MERVILLE - FRANCE